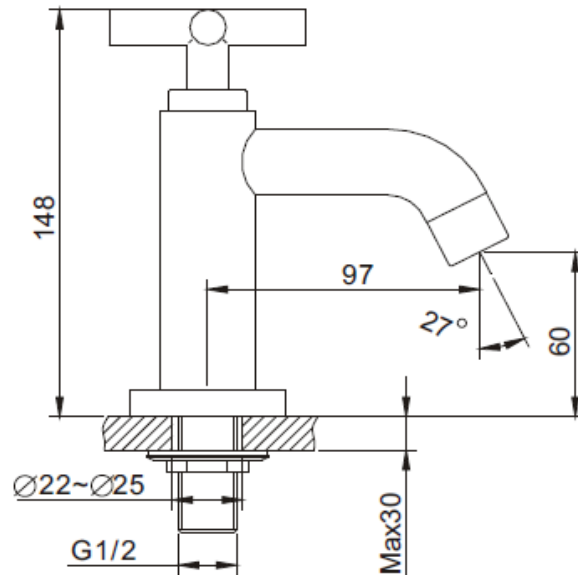


SPECIFICATION SHEET - fittings

BRAND:	CAE	Product Photo: 
ORIGIN:	China	
SERIES:	VICTORIA Series	
PRODUCT DESCRIPTION:	Basin pillar tap, cross handle <ul style="list-style-type: none"> • without pop-up • normal spray • flow rate: 10.7 lpm at 3 bars (45 psi) • flow pressure: 0.3Mpa 	
MODEL No.	07 1015C	
FINISH/COLOUR:	Chrome plated	
DIMENSIONS:	148mm height 97mm spout projection	
OPTIONAL MATCHING PARTS:	1x angle valve 1/2"x1/2" (no nut) 1x basin waste strainer or pop-up 1x basin waste trap 1 1/4"	

Technical Informations:



REMINDER:	Pipe flushing must be done before faucets are installed. Failure to do so voids the warranty.
	Do not use cleaners containing abrasive cleansers, ammonia, bleach, acids, waxes, alcohol, solvents or other products not recommended for chrome.
	All information is for reference only, installation shall always be based on the actual product delivered.